



TB SERIES, 1-1/4" SMALL TANK SCREW PLUG HEATERS							
WATTS	VOLTS	OVERALL LENGTH In./.(mm)	NPT	304 SS	316 SS	TITANIUM	SHIP WGT. Lbs./.(kg)
500	120	8	1-1/4"	FTB.5108	STB.5108	TTB.5108	8
	240	(203)		FTB.5208	STB.5208	TTB.5208	(3.6)
1000	120	10	1-1/4"	FTB1110	STB1110	TTB1110	10
	240	(254)		FTB1210	STB1210	TTB1210	(4.5)
1500	120	14	1-1/4"	FTB1.5114	STB1.5114	TTB1.5114	14
	240	(356)		FTB1.5214	STB1.5214	TTB1.5214	(6.4)
2000	120	17	1-1/4"	FTB2117	STB2117	TTB2117	17
	240	(432)		FTB2217	STB2217	TTB2217	(7.7)

Single phase only.

TB Series Heater Features and Benefits

SUPERIOR CHEMICAL RESISTANCE:

- ◆ For use in most aqueous alkaline solutions, and plating and phosphate tanks. Check solution recommendation chart with your chemical supplier for proper sheath material selection.

RUGGED CONSTRUCTION:

- ◆ Heavy wall metal sheaths and screwplug available in:
 - 304 stainless steel
 - 316 stainless steel
 - Titanium

OUTSTANDING PERFORMANCE:

- ◆ Watt densities up to 40 watts per square inch (6.2 w/cm²) ensure long service life.

CORROSION RESISTANT HEAD:

- ◆ Vapor resistant, flame retardant polypropylene terminal enclosure with 3 ft (.9m) flexible PVC liquid tight conduit.

SAFETY FEATURES:

- ◆ Grounded construction.

CERTIFICATIONS: cULus listed (except steel) and CE compliant.

SIZES: 500 to 2,000 watts.

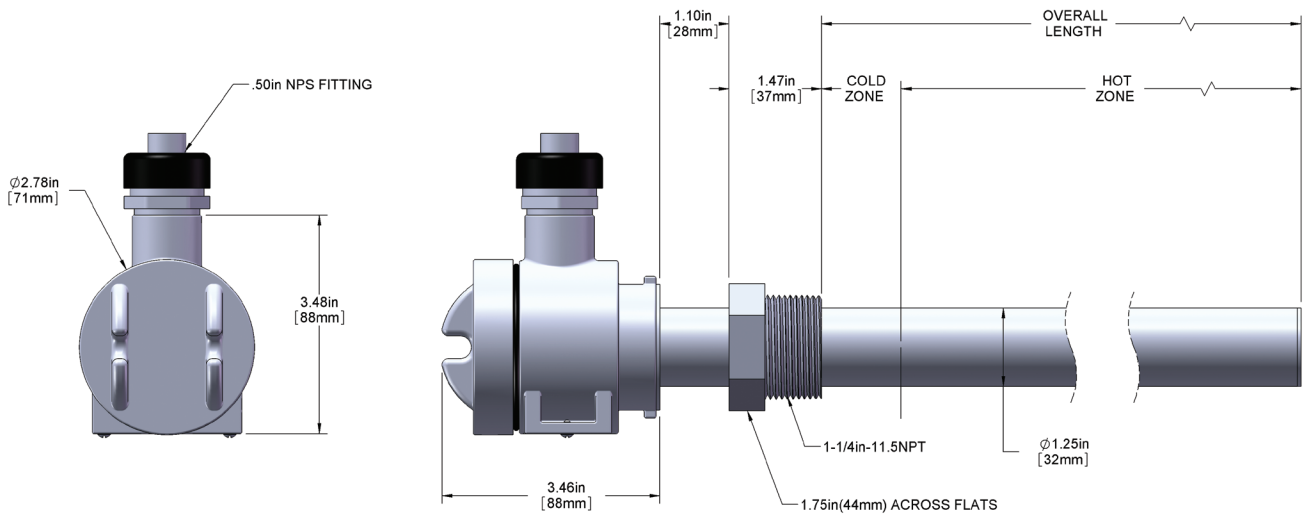
VOLTAGES:

- ◆ 120 to 480 volts.

OPTIONS AVAILABLE (consult factory):

- ◆ Special configurations and lengths.
- ◆ Explosion resistant enclosures.
- ◆ Longer wire and conduit lengths.
- ◆ Lower watt densities for highly viscous solutions.
- ◆ Temperature and level controls sized to match the heater.

DIMENSIONS



1 1/4" TUBULAR SCREW PLUG HEATER ORDERING INFORMATION

Series	Wattage	Voltage	Length (in.)	Options	Wire and Conduit Length
	.5 = 500 1 = 1000 1.5 = 1500 2 = 2000	1 = 120 2 = 240 3 = 380 4 = 480 5 = 415 6 = 600 7 = 400 8 = 208 9 = 220 0 = 200	8 = .5kW 10 = 1kW 14 = 1.5kW 17 = 2kW (custom lengths available)	single phase power only no designator = 36" length standard, specify variations from standard Ex: -X84 = 84"	
	FTB = 304 stainless steel STB = 316 stainless steel TTB = titanium				

ORDERING EXAMPLE:

FTB2117

304 stainless steel, 2,000 watts, 120 volt, 17" overall length.

