

Output power:	30 - 360 kW	Typical applications:	
DC current:	360 - 24000 A (max. 24000 A / 4 V)	Chrome plating	Barrel plating
DC voltage:	4 - 30 V (max. 1000 V / 360 A)	Anodizing/Aluminium colouring	Rack plating

Water cooled DC power supply in switch mode technology, designed for the direct installation at the electroplating tank.

Example cabinet installation: large supply cabinet, three DC cabinets in parallel wiring, total output current: 20 000A



POWER STATION pe5240-W, front view with 1000mm-supply cabinet

Characteristic values

Linearity inaccuracy:

- for amperage < 1 %
- for voltage < 0.5 %

Ripple less than < 2 %

Efficiency typical > 85 %

Powerfactor $\cos \varphi$ 0,95

Constant current and voltage control

Soft start function

Over temperature protection

Internal shunt with 60 mV at I_{nenn}

Pulse operation optional

Mains supply: standard 3 x 400 V +/- 10 % / 50-60 Hz (other voltages on request)

Cooling

Water cooled / cooling water specification: see page 2

Ambient temperature 40°C (other on request)

Stainless steel cooling system, over temperature protected

Design

Compact Rittal TS cabinet; protection grade: IP54

Powder coated, RAL 7035

Mains supply below in cabinet

Cooling water connection in the plinth, 1/2" connections

DC output bus bars:

- Low voltage outputs in top plate of cabinet
- High voltage outputs inside the cabinet

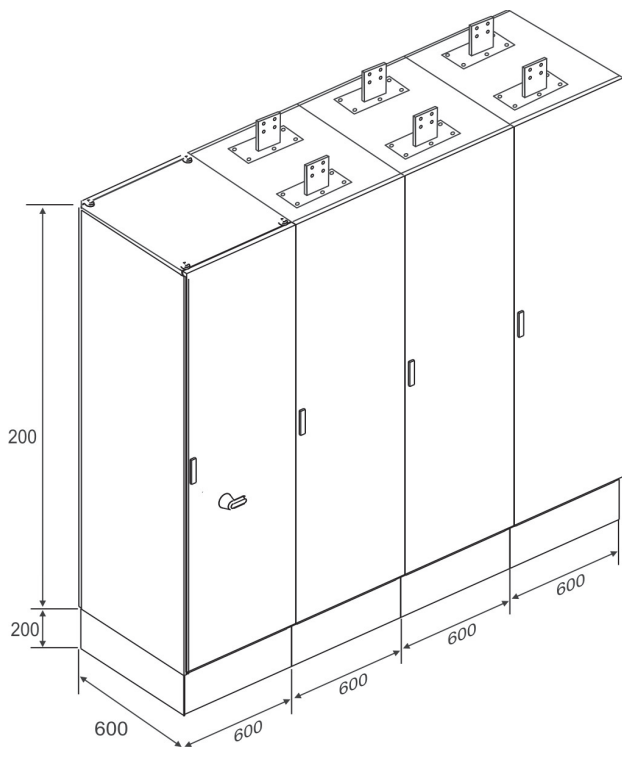
With mains power switch, fuses and sub distributor in a separate supply cabinet

Dimensions (W x H x D) 3400 x (2200+150) x 600mm incl. plinth

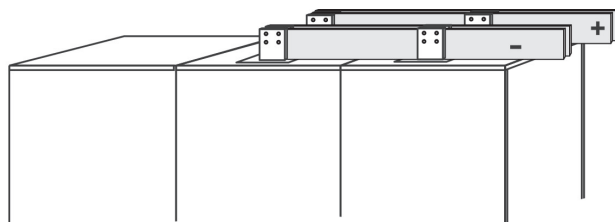
EMV: EN50011 class A, group B ; EN61000-6-4 and EN61000-6-2;
CE-conformity low voltage guide line: EN50178

Values	Standard sizes – DC output ¹											other sizes on request		
	24000 A		21600 A					19500 A	18000 A	15000 A	12000 A	360 A		
DC current														
DC voltage	4 V	5 V	6 V	8 V	10 V	12 V	15 V	18 V	20 V	24 V	30 V	1000 V		
Mains supply	3 x 400V AC													
Weight	approx. 1400 kg													

Standard dimensions



Picture: Example DC output bus bars on top of the cabinet. Scope of delivery without parallel wiring!



Control

Standard: peRB-interface

Optional: external control via analog signals, also with integrated isolation amplifier

Signals: 0-10V
0-1V
4-20mA
0-20mA (other on request)

Control unit pe280
for the controlling of
DC power supplies of
the series POWER STATION pe5240-W

Designed for electroplating applications
Large 3-line LCD-display,
polycarbonate-keypad for easy operation
Current and voltage infinitely adjustable
by UP / DOWN buttons

Current and voltage preset

Ampere-hour counter (totalizer)

Protection grade: IP54

Ambient temperature max. 40°C



Optional available functions

Preset counter, dosage counter *

Ramp function (start / stop ramp)

Timer function for ON / OFF *

Voltage / current alarm *

Operating hours counter

Chopper timer (pulse-capable rectifier type requested)

Pole changer function (mechanical / electronic) *

Programmable DC steps (14 individual steps) *

Extern ON

* Indication / alarm output

Control via: RS485, PROFIBUS, TCP/IP (other on request)

Cooling water specification

For the water cooling system, city water with the following specifications should be used:

ph Value:	7,0 - 8,0	Inlet temperature:	18-26°C
Hardness:	<=1,3 mmol/l (<=7°dH)	Water pressure:	> 2bar
Chloride:	<=100 mg/l		

To operate this rectifier, and to keep the specified values of the cooling water, a closed cooling system is recommended.

Technical equipment, design and features: subject to change! For further information please contact plating electronic GmbH.